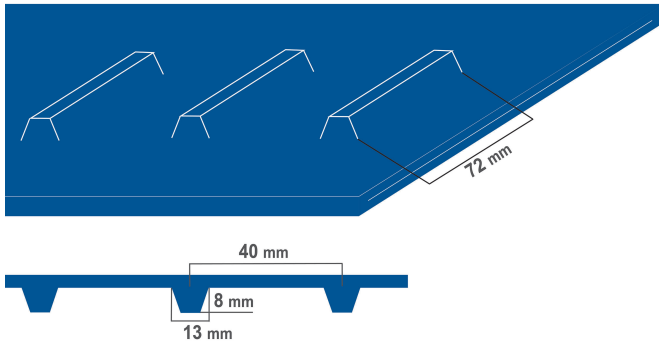


CODE NA-1207c-D13

TYPE
HP Compact Drive 25/40 blue
COMPOSITION

PRODUCT SYSTEM
FEATURES

| | |
|-----------------------------------------------------|-----|
| Humidity influence | no |
| Suitable to metal detector | yes |
| Permanent antistatic dynamically (UNI EN ISO 21179) | no |
| Static conductivity (UNI EN ISO 284) | no |
| C.I.P. (Clean In Place) | yes |
| Conveying on plastic strips UHMW ⁽²⁾ | yes |
| Conveying on rollers | yes |
| Troughed conveying | no |
| Swan neck conveying | yes |
| Inclined conveying | no |
| Accumulators belts | no |
| Curved conveyor | no |
| Chemical resistances (see file available on line) | 12 |

COMPLIANCE

REACH Regulation EC 1907/2006 and amendments
 Regulation EC 1935/2004 and amendments
 Regulation EC 2023/2006 and amendments
 Regulation EU 10/2011 and amendments
 FDA (Food and Drug Administration)
 USDA (United States Department of Agriculture)
 Regulation NSF/ANSI 3-A 14159-3-2014 and amendments

SUITABLE FOR

Food: meat processing
 Food: seafood processing
 Food: cheese processing
 Fruits and vegetables
 Food: bakery
 Food: sweet and salty snacks

NOTES

Thanks to the outstanding resistance to abrasion, oils, fats, detergents and to the most aggressive cleaning procedures, the HP product system is specially recommended for applications that require compliance with HACCP (Hazard Analysis and Critical Control Point) and IFS (International Food Standard).

| | | |
|-----------------|-------------------------------------------------------------------------------------------|---------------------------------------------------|
| Description | Compact belt with traction core treated to avoid waving, timing profile on the drive side | |
| Material | Polyurethane (TPU) - HP [®] system | |
| Thickness | 2.50 mm | 0.10 in. |
| Weight | 2.90 kg/m ² + 0.18 kg/m (for row of teeth) | 0.59 lbs./sq.ft + 0.12 lbs./ft (for row of teeth) |
| Surface pattern | Smooth | |
| Colour | HP [®] blue | |

TECHNICAL SPECIFICATIONS

| | | |
|----------------------------------------------------------------------|---------------|-----------------|
| Elongation at 1% | 8 N/mm | 46 lbs./in. |
| Pitch | 40 ± 0.4 mm | 1.57 ± 0.16 in. |
| Temperature resistance ⁽²⁾ | min. -30 °C | -22 °F |
| | max. +90 °C | 194 °F |
| ⁽¹⁾ Use of the belt with limit values may reduce its life | | |
| Max. production width | 2000 mm | 79 in. |
| Minimum roller diameter: | | |
| ■ Bending roller | 80 mm | 3.2 in. |
| ■ Counter-bending roller | 120 mm | 4.7 in. |
| Coefficient of friction: | | |
| ■ Stainless steel - dry/wet | 0.50/0.42 [-] | |
| ■ UHMW ⁽²⁾ - dry/wet | 0.42/0.35 [-] | |

⁽²⁾ UHMW = Ultra High Molecular Weight

Issue: 13-09-2016

Last Update: 23-03-2017

DISCLAIMER

The information contained in this document describes the features of the CHIORINO product as tested in a laboratory environment at a temperature of +23 degrees °C at 50% relative humidity. It does not necessarily reflect the conditions of industrial use and it does not guarantee the product to be suitable for certain applications. The client remains liable for the proper selection and correct use of the CHIORINO product. CHIORINO cannot be held responsible should damages arise from the use of its products. Necessary alterations to this data can be made without prior notice.