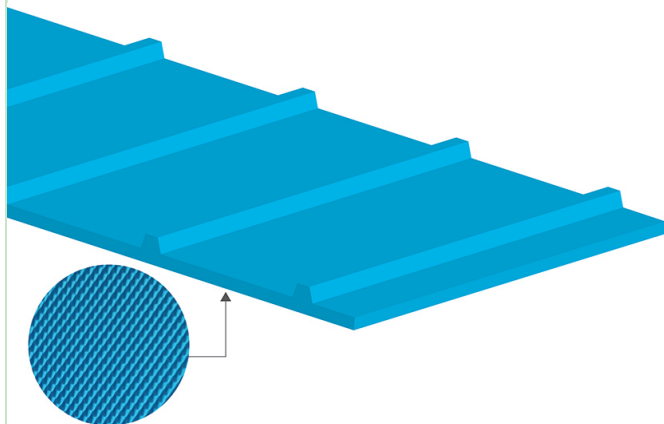


ProDrive F-S 30/50 GB LB

COMPOSITION



PRODRIVE

Description	Monolithic belt with positive drive	
Material	Polyurethane (TPU)	
Thickness	3.00 mm	0.12 in.
Weight	5.30 kg/m ²	1.08 lbs./sq.ft
Surface pattern	GB	
Colour	Light blue	
Coefficient of friction	LF	

TECHNICAL SPECIFICATIONS

Elongation at 1%	4 N/mm	23 lbs./in.
Pitch	50 ± 0.4 mm	1.97 ± 0.16 in.
Temperature resistance ⁽²⁾	min. -5 °C	23 °F
	max. +80 °C	176 °F
⁽¹⁾ Use of the belt with limit values may reduce its life		
Max. production width	1200 mm	47 in.
Minimum roller diameter:		
■ Bending roller	130 mm	5.1 in.
■ Counter-bending roller	180 mm	7.1 in.
Coefficient of friction:		
■ Stainless steel - dry/wet	0.50/0.42 [-]	
■ UHMW ⁽²⁾ - dry/wet	0.42/0.35 [-]	
⁽²⁾ UHMW = Ultra High Molecular Weight		

FEATURES

Humidity influence	no
Suitable to metal detector	yes
Permanent antistatic dynamically (UNI EN ISO 21179)	no
Static conductivity (UNI EN ISO 284)	no
Conveying on plastic strips UHMW ⁽²⁾	yes
Conveying on rollers	yes
Troughed conveying	no
Swan neck conveying	yes
Inclined conveying	no
Accumulators belts	no
Curved conveyor	no
Chemical resistances link	5

COMPLIANCE

REACH EC 1907/2006 Regulation and Amendments
 EC 1935/2004 Regulation and Amendments
 EC 2023/2006 Regulation and Amendments
 EU 10/2011, 2023/1442 Regulation and Amendments
 FDA (Food and Drug Administration)



SUITABLE FOR

Food: meat and fish processing
 Food: seafood processing
 Food: cheese processing
 Food: bakery
 Food: sweet and salty snacks
 Fruits and vegetables

NOTES

PRODUCT CODE NA1773

Last Update: 24-09-2024

DISCLAIMER

The information contained in this document describes the features of the CHIORINO product as tested in a laboratory environment at a temperature of +23 degrees °C at 50% relative humidity. It does not necessarily reflect the conditions of industrial use and it does not guarantee the product to be suitable for certain applications. The client remains liable for the proper selection and correct use of the CHIORINO product. CHIORINO cannot be held responsible should damages arise from the use of its products. Necessary alterations to this data can be made without prior notice.