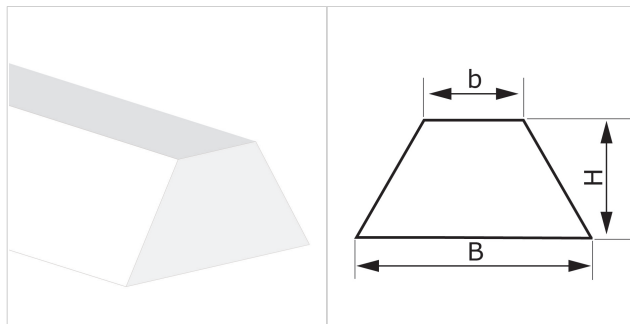


**CODE ES898**
**TYPE**
**K6x4 U P FXD**
**DESCRIPTION**

Profiles mainly fitted on conveyor belts as guides.



**TECHNICAL SPECIFICATIONS**

Material	Polyurethane (TPU)		
Hardness	85 ±5 Sh.A		
Colour	Silver		
Base	Flat		
B Upper base	6.0 mm	0.24	in.
b Bottom base	4.0 mm	0.16	in.
H Height	4.0 mm	0.16	in.
Weight	22 gr/m	0.020	oz/in.
Minimum pitch			
■ longitudinal	40 mm	1.6	in.
■ transversal	40 mm	1.6	in.
Minimum pulley diameters <sup>(1)</sup>			
■ longitudinal-driving side	---	---	in.
■ longitudinal-conveying side	35 mm	1.4	in.
■ transversal-conveying side	30 mm	1.2	in.
<sup>(1)</sup> Minimum pulley diameters referred to environment conditions of 20°C			
Temperature resistance <sup>(2)</sup>	min.	-20 °C	-4 °F
	max	60 °C	140 °F
<sup>(2)</sup> Use with limit values may reduce its life			
Roll/bar sizes	300.0 m	984.0	ft

**COMPLIANCES**

 REACH EC 1907/2006 Regulation and Amendments  
 EC 1935/2004 Regulation and Amendments  
 EC 2023/2006 Regulation and Amendments  
 EU 10/2011, 2023/1442 Regulation and Amendments  
 FDA (Food and Drug Administration)

**METHOD OF APPLICATION**

- Hot air welding
- High frequency welding

**NOTES**

Issue: 4-04-2023

Last Update: 19-04-2023

**DISCLAIMER**

The information contained in this document describes the features of the CHIORINO product as tested in a laboratory environment at a temperature of +23 degrees °C at 50% relative humidity. It does not necessarily reflect the conditions of industrial use and it does not guarantee the product to be suitable for certain applications. The client remains liable for the proper selection and correct use of the CHIORINO product. CHIORINO cannot be held responsible should damages arise from the use of its products. Necessary alterations to this data can be made without prior notice.