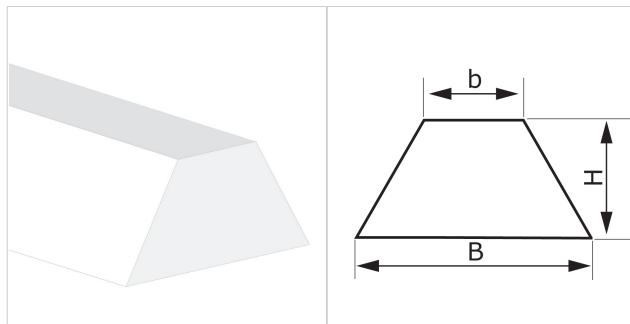


CODE ES621
TYPE
K6x4 U P HP S W
DESCRIPTION

Profiles mainly fitted on conveyor belts as guides.


TECHNICAL SPECIFICATIONS

Material Polyurethane (TPU) - HP® system

Hardness 70 ±5 Sh.A

Colour White

Base Flat

B Upper base 6.0 mm 0.24 in.

b Bottom base 4.0 mm 0.16 in.

H Height 4.0 mm 0.16 in.

Weight 22 gr/m 0.020 oz/in.

Minimum pitch

■ longitudinal 40 mm 1.6 in.

■ transversal 40 mm 1.6 in.

 Minimum pulley diameters⁽¹⁾

■ longitudinal-driving side 30 mm 1.2 in.

■ longitudinal-conveying side 50 mm 2.0 in.

■ transversal-conveying side --- mm --- in.

⁽¹⁾ Minimum pulley diameters referred to environment conditions of 20°C

 Temperature resistance⁽²⁾ min. -30 °C -22 °F

max. 70 °C 158 °F

⁽²⁾ Use with limit values may reduce its life

Roll/bar sizes 300.0 m 984.0 ft

COMPLIANCES

 REACH EC 1907/2006 Regulation and Amendments
 EC 1935/2004 Regulation and Amendments
 EC 2023/2006 Regulation and Amendments
 EU 10/2011, 2023/1442 Regulation and Amendments
 HACCP (Hazard Analysis and Critical Control Points)
 FDA (Food and Drug Administration)
 NSF/ANSI 3-A 14159-3-2014 Regulation and Amendments
 HALAL (World Halal Authority)

METHOD OF APPLICATION

- Hot air welding
- High frequency welding

NOTES

Issue: 22-01-2020

Last Update: 31-08-2020

DISCLAIMER

The information contained in this document describes the features of the CHIORINO product as tested in a laboratory environment at a temperature of +23 degrees °C at 50% relative humidity. It does not necessarily reflect the conditions of industrial use and it does not guarantee the product to be suitable for certain applications. The client remains liable for the proper selection and correct use of the CHIORINO product. CHIORINO cannot be held responsible should damages arise from the use of its products. Necessary alterations to this data can be made without prior notice.