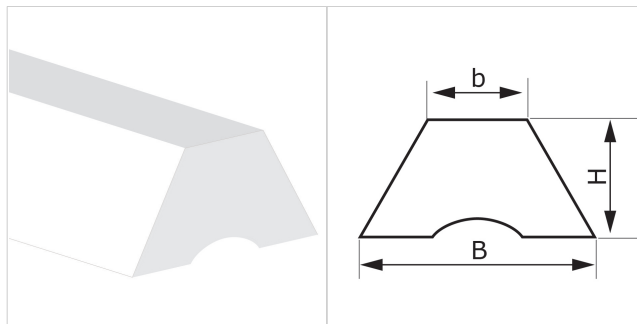


**CODE ES567**
**TYPE**
**K13 U TR**
**DESCRIPTION**

Profiles mainly fitted on conveyor belts as guides.


**TECHNICAL SPECIFICATIONS**

Material	Polyurethane (TPU)		
Hardness	70 ±5 Sh.A		
Colour	Transparent		
Base	Grooved		
B Upper base	13 mm	0.51	in.
b Bottom base	7 mm	0.28	in.
H Height	8 mm	0.31	in.
Weight	75 gr/m	0.067	oz/in.
Minimum pitch			
■ longitudinal	45 mm	1.8	in.
■ transversal	45 mm	1.8	in.
Minimum pulley diameters <sup>(1)</sup>			
■ longitudinal-driving side	85 mm	3.4	in.
■ longitudinal-conveying side	140 mm	5.5	in.
■ transversal-conveying side	--- mm	---	in.
<sup>(1)</sup> Minimum pulley diameters referred to environment conditions of 20°C			
Temperature resistance <sup>(2)</sup>	min.	-20 °C	-4 °F
	max	60 °C	140 °F
<sup>(2)</sup> Use with limit values may reduce its life			
Roll/bar sizes	150.0 m	492.0	ft

**COMPLIANCES**

 REACH EC 1907/2006 Regulation and Amendments  
 EC 1935/2004 Regulation and Amendments  
 EC 2023/2006 Regulation and Amendments  
 EU 10/2011, 2017/752 Regulation and Amendments  
 FDA (Food and Drug Administration)

**METHOD OF APPLICATION**

- Hot air welding
- High frequency welding

**NOTES**

Issue 22-01-2020

Last Update: 22-01-2020

**DISCLAIMER**

The information contained in this document describes the features of the CHIORINO product as tested in a laboratory environment at a temperature of +23 degrees °C at 50% relative humidity. It does not necessarily reflect the conditions of industrial use and it does not guarantee the product to be suitable for certain applications. The client remains liable for the proper selection and correct use of the CHIORINO product. CHIORINO cannot be held responsible should damages arise from the use of its products. Necessary alterations to this data can be made without prior notice.