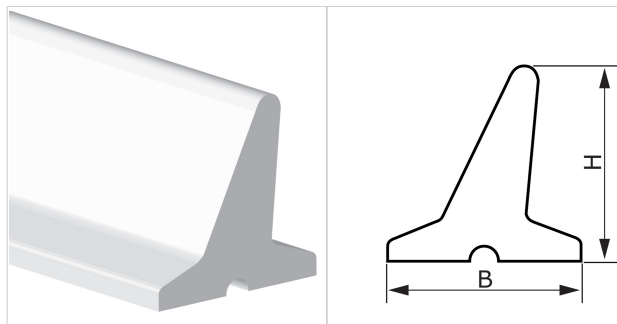


**CODE** ES395

**TYPE**
**L20 W**
**DESCRIPTION**

PVC inclined lateral profile.


**TECHNICAL SPECIFICATIONS**

Material Polyvinyl chloride (PVC)

Hardness 60 ±5 Sh.A

Colour White

Base Grooved

B Upper base 23 mm 0.91 in.

b Bottom base --- mm --- in.

H Height 20 mm 0.79 in.

Weight 250 gr/m 0.222 oz/in.

Minimum pitch

■ longitudinal --- mm --- in.

■ transversal 55 mm 2.2 in.

 Minimum pulley diameters<sup>(1)</sup>

■ longitudinal-driving side --- mm --- in.

■ longitudinal-conveying side --- mm --- in.

■ transversal-conveying side 80 mm 3.2 in.

<sup>(1)</sup> Minimum pulley diameters referred to environment conditions of 20°C

 Temperature resistance<sup>(2)</sup> min. -10 °C 14 °F

max. 60 °C 140 °F

<sup>(2)</sup> Use with limit values may reduce its life

Roll/bar sizes 2.4 m 7.9 ft

**COMPLIANCES**

 REACH EC 1907/2006 Regulation and Amendments  
 FDA (Food and Drug Administration)

**METHOD OF APPLICATION**
**NOTES**

Issue 22-01-2020

Last Update: 22-01-2020

**DISCLAIMER**

The information contained in this document describes the features of the CHIORINO product as tested in a laboratory environment at a temperature of +23 degrees °C at 50% relative humidity. It does not necessarily reflect the conditions of industrial use and it does not guarantee the product to be suitable for certain applications. The client remains liable for the proper selection and correct use of the CHIORINO product. CHIORINO cannot be held responsible should damages arise from the use of its products. Necessary alterations to this data can be made without prior notice.