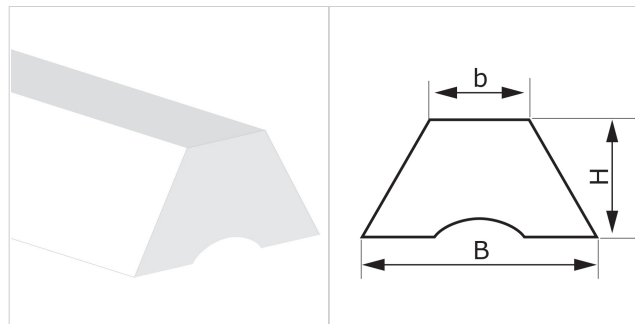


**CODE ES235**
**TYPE**
**K17 U W**
**DESCRIPTION**

Profiles mainly fitted on conveyor belts as guides.


**TECHNICAL SPECIFICATIONS**

Material Polyurethane (TPU)

Hardness 70 ±5 Sh.A

Colour White

Base Grooved

B Upper base 17.0 mm 0.67 in.

b Bottom base 9.0 mm 0.35 in.

H Height 11.0 mm 0.43 in.

Weight 143 gr/m 0.127 oz/in.

Minimum pitch

■ longitudinal	45 mm	1.8 in.
■ transversal	45 mm	1.8 in.

 Minimum pulley diameters<sup>(1)</sup>

■ longitudinal-driving side	125 mm	4.9 in.
■ longitudinal-conveying side	200 mm	7.9 in.
■ transversal-conveying side	--- mm	--- in.

<sup>(1)</sup> Minimum pulley diameters referred to environment conditions of 20°C

Temperature resistance <sup>(2)</sup>	min.	-20 °C	-4 °F
	max	60 °C	140 °F

<sup>(2)</sup> Use with limit values may reduce its life

Roll/bar sizes 100.0 m 328.0 ft

**COMPLIANCES**

 REACH EC 1907/2006 Regulation and Amendments  
 EC 1935/2004 Regulation and Amendments  
 EC 2023/2006 Regulation and Amendments  
 EU 10/2011, 2017/752 Regulation and Amendments  
 HACCP (Hazard Analysis and Critical Control Points)  
 FDA (Food and Drug Administration)

**METHOD OF APPLICATION**

- Hot air welding
- High frequency welding

**NOTES**

Issue: 22-01-2020

Last Update: 22-01-2020

**DISCLAIMER**

The information contained in this document describes the features of the CHIORINO product as tested in a laboratory environment at a temperature of +23 degrees °C at 50% relative humidity. It does not necessarily reflect the conditions of industrial use and it does not guarantee the product to be suitable for certain applications. The client remains liable for the proper selection and correct use of the CHIORINO product. CHIORINO cannot be held responsible should damages arise from the use of its products. Necessary alterations to this data can be made without prior notice.