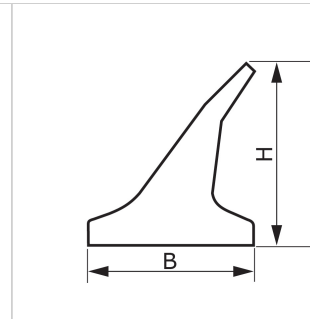
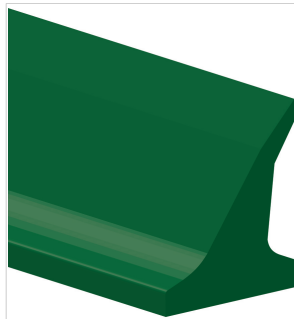


CODE	ES115		TYPE	L50 RF	
DESCRIPTION					
PVC inclined lateral profile, flat base without groove.					
TECHNICAL SPECIFICATIONS					
Material	Polyvinyl chloride (PVC)				
Hardness	60 ±5 Sh.A				
Colour	Green				
Base	Flat				
B Upper base	20.0 mm	0.79	in.		
b Bottom base	---	---	in.		
H Height	50.0 mm	1.97	in.		
Weight	498 gr/m	0.443	oz/in.		
Minimum pitch					
■ longitudinal	---	---	in.		
■ transversal	50 mm	2.0	in.		
Minimum pulley diameters ⁽¹⁾					
■ longitudinal-driving side	---	---	in.		
■ longitudinal-conveying side	---	---	in.		
■ transversal-conveying side	80 mm	3.2	in.		
⁽¹⁾ Minimum pulley diameters referred to environment conditions of 20°C					
Temperature resistance ⁽²⁾					
	min.	-10 °C	14	°F	
	max	60 °C	140	°F	
⁽²⁾ Use with limit values may reduce its life					
Roll/bar sizes	2.4 m	7.9	ft		
COMPLIANCES					
REACH EC 1907/2006 Regulation and Amendments					
METHOD OF APPLICATION					
- High frequency welding					
NOTES					



Issue: 22-01-2020

Last Update: 22-01-2020

DISCLAIMER

The information contained in this document describes the features of the CHIORINO product as tested in a laboratory environment at a temperature of +23 degrees °C at 50% relative humidity. It does not necessarily reflect the conditions of industrial use and it does not guarantee the product to be suitable for certain applications. The client remains liable for the proper selection and correct use of the CHIORINO product. CHIORINO cannot be held responsible should damages arise from the use of its products. Necessary alterations to this data can be made without prior notice.